

## BISMAT® Flash



Insert pipe



Close clamp / push screw



Done!

### Fixed in a flash, without tools!

- With BISMAT® Flash quick locking system
- Clamp easy to close with one hand without tools
- Optimised noise insulation
- Tested for fire safety
- RAL-certified

Easy to close  
with  
one hand!

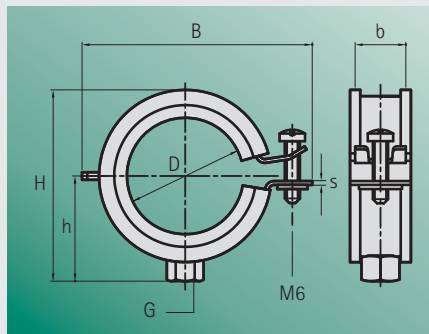
# BISMAT® Flash

The BISMAT® Flash is a single screw pipe clamp with quick locking system. The locking screw can be secured by one simple thumb push. Tools are not required. As the locking screw is manually closed, there is minimal rubber compression: this facilitates better absorption of noise vibration. The BISMAT® Flash is suitable for fixing of

all types of metal pipes Ø 15 mm up to and including 63 mm (3/8" up to and including 2"). The steel locking guarantees safety and reliability in all conditions. The fire resistance properties of BISMAT® Flash are tested by the MaterialPrüfungsAnstalt in Braunschweig (Germany). A copy of the test report is available on request.

## Features and benefits

- Single screw pipe clamp
- With BISMAT® Flash quick locking
- Clamp easy to be closed with one hand
- The locking screw can be secured by one simple thumb push. Tools are not required.
- Optimised noise insulation
- Material: steel
- Zinc plated
- Noise insulating lining made of EPDM rubber, black
- Tested according to NEN 5077



Part No.	G	D			B	H	h	b x s	RAL	Fa,z*	Box (pc.)
		(mm)	(")	(DN)							
337 3 018	M8	15 - 18	3/8	10	49	36	22	20 x 1,00	RAL	500	50
337 3 023	M8	20 - 23	1/2	15	54	39	23	20 x 1,00	RAL	500	50
337 3 028	M8	25 - 28	3/4	20	59	44	26	20 x 1,00	RAL	500	50
337 3 035	M8	32 - 35	1	25	65	51	30	20 x 1,00	RAL	500	50
337 3 043	M8	40 - 43	1 1/4	32	74	60	34	20 x 1,25	RAL	700	50
337 3 051	M8	48 - 51	1 1/2	40	82	66	37	20 x 1,25	RAL	700	50
337 3 056	M8	53 - 56	-	-	85	76	42	20 x 1,25	RAL	700	50
337 3 063	M8	57 - 63	2	50	91	82	45	20 x 1,25	RAL	700	50
337 4 018	M8/10	15 - 18	3/8	10	49	44	30	20 x 1,00	RAL	500	50
337 4 023	M8/10	20 - 23	1/2	15	54	47	31	20 x 1,00	RAL	500	50
337 4 028	M8/10	25 - 28	3/4	20	59	52	34	20 x 1,00	RAL	500	50
337 4 035	M8/10	32 - 35	1	25	65	59	38	20 x 1,00	RAL	500	50
337 4 043	M8/10	40 - 43	1 1/4	32	74	68	42	20 x 1,25	RAL	700	50
337 4 051	M8/10	48 - 51	1 1/2	40	82	74	45	20 x 1,25	RAL	700	50
337 4 056	M8/10	53 - 56	-	-	85	84	50	20 x 1,25	RAL	700	50
337 4 063	M8/10	57 - 63	2	50	91	90	53	20 x 1,25	RAL	700	50

\*The max. allowed load (Fa,z) is calculated using specific statistical methods related to the breaking load and taking into account a deflection of 1,5 mm or 2% of the maximum nominal clamp diameter (respectively according to RAL-GZ 655/B). According to the RAL requirements, the test results from above mentioned RAL certified articles are monitored by an independent test institute.

## RAL

The maximum allowed load is tested and certified according to RAL-GZ 655/B which is drawn up by the 'Gütegemeinschaft Rohrbefestigung'. In the test a maximum allowed deflection is taken into consideration.

The 'RAL-Gütezeichen' is exclusively awarded to products that meet high standards and is a proof of quality!



### The Netherlands Scandinavia – Finland

**Walraven B.V.**  
P.O. Box 15  
3640 AA Mijdrecht (NL)  
Tel. +31 (0)297 23 30 00  
Fax +31 (0)297 23 30 99  
info@walraven.com



### United Kingdom Ireland

**Walraven Ltd.**  
Thorpe Way, Banbury (GB)  
Oxon, OX16 4UU  
Tel. +44 (0)1295 75 34 00  
Fax +44 (0)1295 75 34 28  
sales.banbury@walraven.com



### Germany Austria – Switzerland – South East Europe

**Walraven GmbH**  
Postfach 125128  
95425 Bayreuth (DE)  
Tel. +49 (0)921 75 60 0  
Fax +49 (0)921 75 60 111  
info@walraven.de

### Other countries

**Walraven International**  
P.O. Box 15  
3640 AA Mijdrecht (NL)  
Tel. +31 (0)297 23 30 00  
Fax +31 (0)297 23 30 99  
export@walraven.com



### Walraven Group

Mijdrecht (NL) · Tienen (BE) · Bayreuth (DE)  
Grenoble (FR) · Banbury (GB) · Madrid (ES)  
Barcelona (ES) · Mladá Boleslav (CZ)  
Kraków (PL) · Kyiv (UA) · Moscow (RU)  
Detroit (US) · Shanghai (CN)

[walraven.com](http://walraven.com)

Your wholesaler: